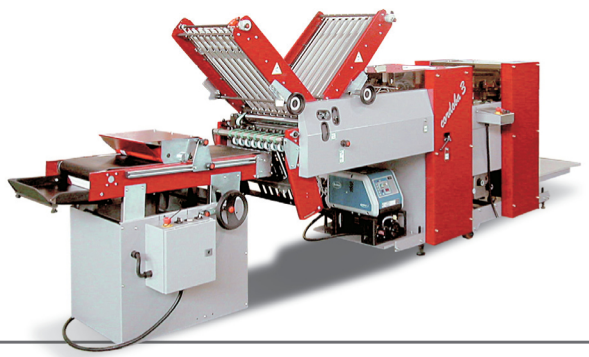
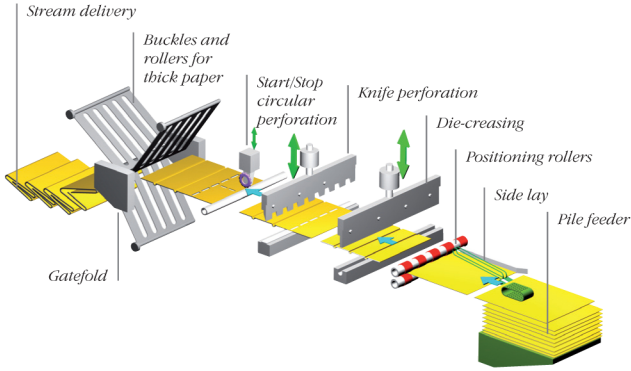


# Cordoba



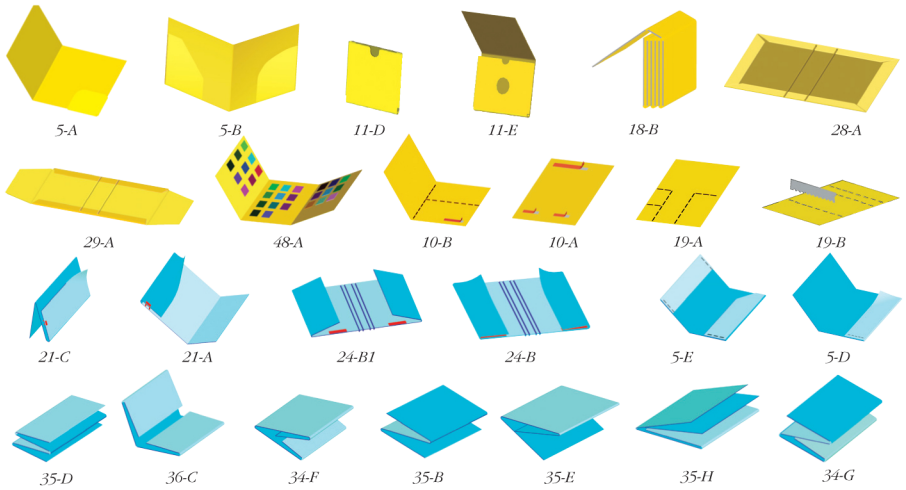
## HIGH SPEED CREASING FOLDING AND GLUING MACHINE



The Cordoba range follows the rule of using a matrix system to crease substrates prior to folding. Heavy boards or plastics, or laminations in addition to cross grain or digitally printed works can now be created without a die-cutting machine.

The Cordoba incorporates a traditional folding section with a knife and matrix creasing unit. The folder has a modified roller configuration and fold plate angle, which eliminates crackings and curls when folding heavy stocks.

Attachments can be added e.g.: perforating, punching, gluing, in addition plough folds can be added to produce presentation folders. The machine can crease from 80 to 600 gr. (4 - 30 points) and fold from 140 to 600 gr. (6 - 30 points). When folding light weight stocks a standard folding unit can be added.



### TECHNICAL FEATURES

- Max. size: cm 52 x 120 (20½ x 47¼ in.)
- Min. size: cm 15 x 20 (6 x 7¾ in.)
- Creasing Stock range: 80 - 600 gr. (4 - 30 points)
- Folding Stock range: 140 - 600 gr. (6 - 30 points)
- Speed A4 1 creasing: 14.000 cp/b

### OPTIONALS

Start/Stop circular perforation - 2° group: Die-creasing / Knife perforation - Gluing system - Tape applicator - Plough for folders - Special creasing knife for digital printings